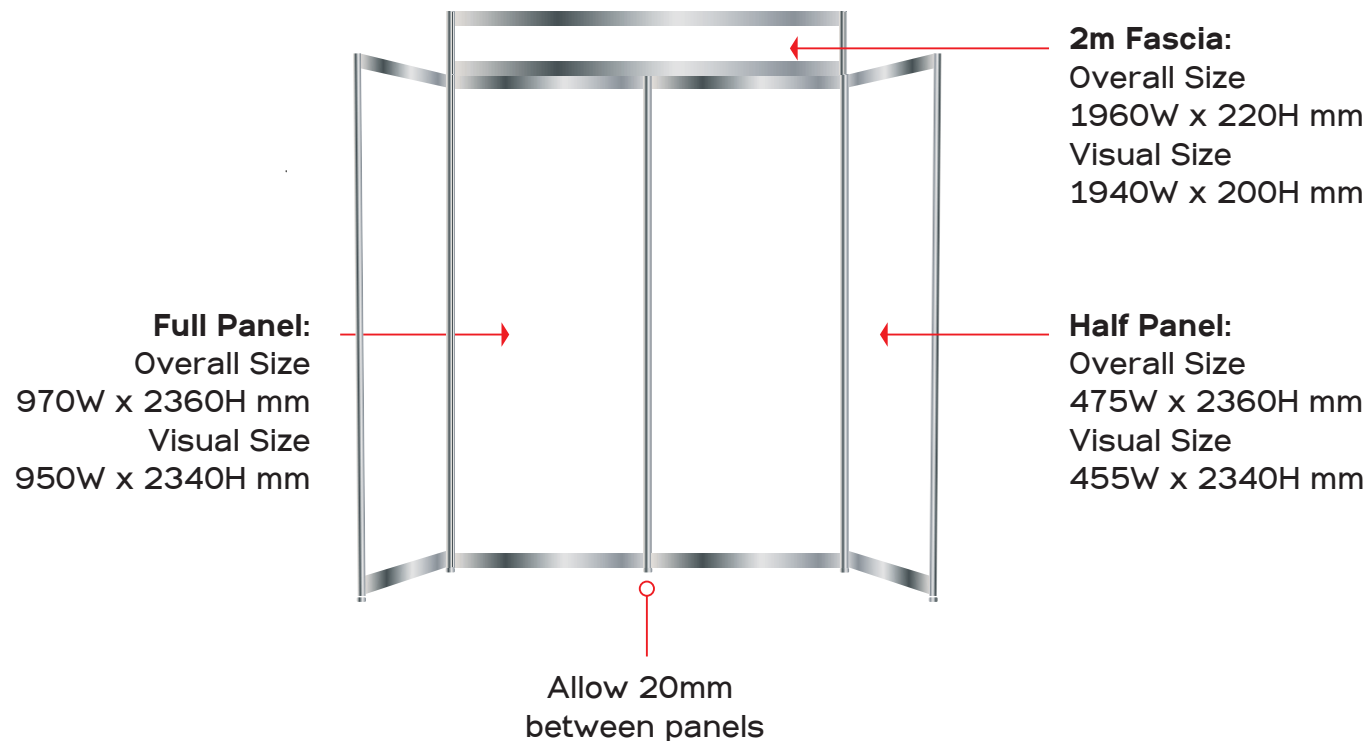


ExpoTas:

2 Full Rear Panels & 2 Half Side Panels Printing Specifications



Artwork Specifications:

Each panel requires it's own press ready PDF print file to the below specifications:

- Outline all fonts
- Ensure raster elements (i.e. images) are high resolution to output at 100%
- Embed all images within artwork (do not link images)
- Flatten artwork if using complex layers
- Apply crop marks to the artwork's overall size (not the visual size) with 10mm bleed all sides
- The difference between the overall size and the visual size accounts for 10mm for all sides of a print once inserted into frame

